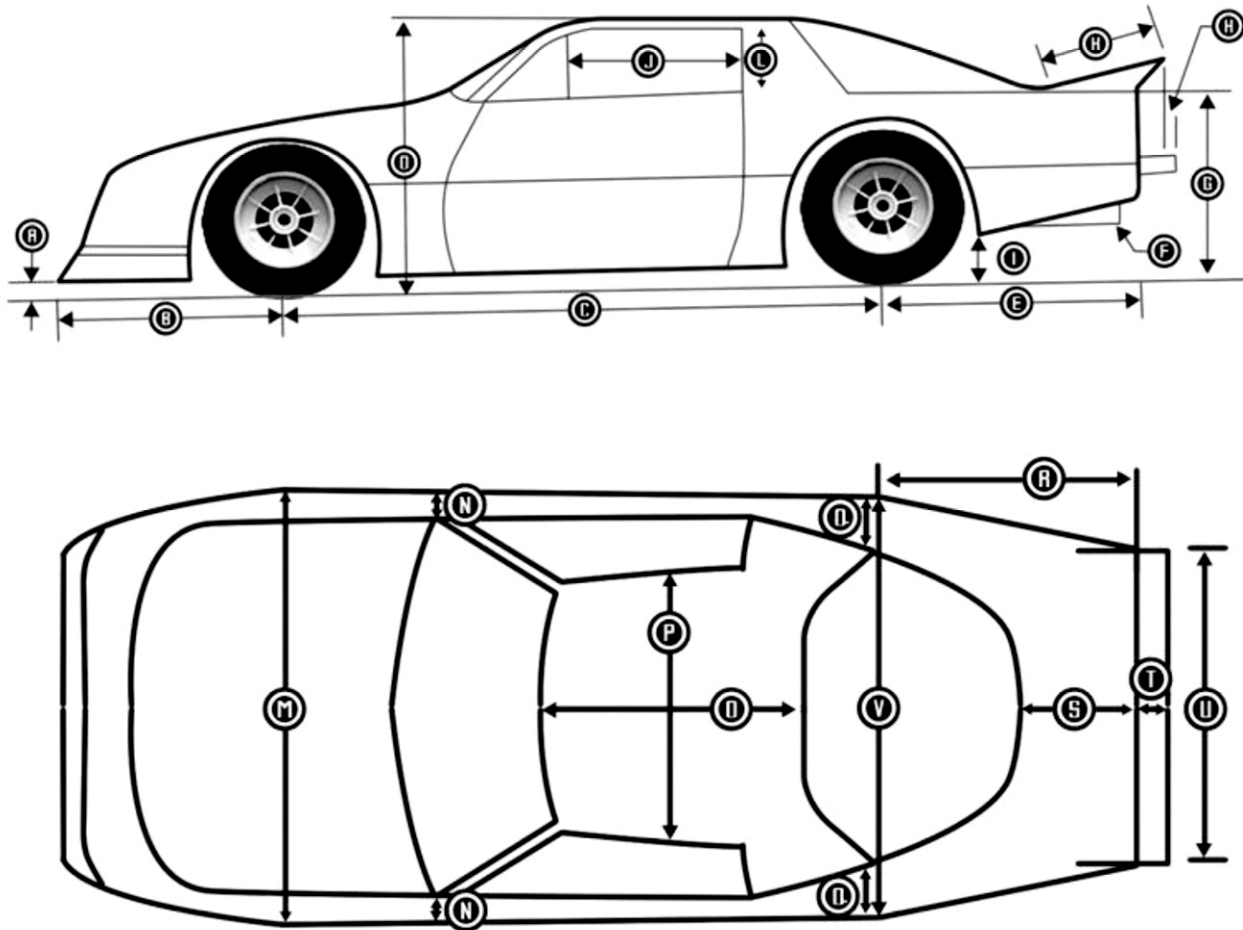


# 2018 Owosso Speedway Pro Late Model Rules

**All Pro Late Model drivers are required to use a Head & Neck Restraint! This system will be mandatory for any Pro Late Model entering the track, including Test & Tune!**

**BATTERY** - One battery only. Must not be located in driver's compartment. Must be securely mounted to structural member. Battery disconnect switch behind driver seat, mandatory.

## **BODY SPECIFICATIONS:**



## 2018 Owosso Speedway Pro Late Model Rules

---

- A. Nose clearance to floor – 3 inch min.
- B. Center of front wheel to front of nose – 45 inch max.
- C. Wheel base – 102 inch min.
- D. Height of body highest point of roof to floor – 45 inch min.
- E. Center of back wheel to rear of body – 46 inch max.
- F. Fuel Cell height – 8 inch min.
- G. Height of rear of body – 37 inch max.
- H. Spoiler must have tubular supports.
- I. Rear body clearance to floor – 6 inch min.
- J. Width of window – 20 inch min.
- K. Bumper distance from body – 3 inch.
- L. Height of window – 12 inch min.
- M. Width of car – 80 inch min.
- N. Front fender – 4 inch.
- O. Roof (front to back) – 38 inch min.
- P. Roof (side to side) – 45 inch min.
- Q. Rear fender – 9 inch max.
- R. R – 52 inch.
- S. Rear Deck – 28 inch max. (Rear window to Spoiler base)
- T. Horizontal extension of spoiler from body – 8 inch max
- U. Width of rear bumper – 72 inch max.
- V. Width of car – 80 inch max.
- W. Top of Spoiler to Ground – 42” Maximum

# 2018 Owosso Speedway Pro Late Model Rules

---

## **BODY SPECS** – Outlaw body specs: (Template Body to be installed to “ABC” standard)

1. Bodies must be neat in appearance and symmetrical on each side panel.
2. All cars must have steel or aluminum interior.
3. Aluminum or fiberglass body parts allowed (except floor plan).
4. No coffin/dirt type interiors.
5. No angled or wedge-type bodies – No shovel nose/no true noses.
6. Rear quarter panel width – 72” max. Must gradually taper from body width at tires to the width at the rear spoiler. (No straight quarters with an abrupt kick-in just before the rear spoiler.
7. Rear spoiler: Will not extend beyond bumper. Height – 8” from front side including curl. Width – 72” max. Must be centered. Clear Lexan ONLY – No Graphics. NO TRIANGULAR BRACES. 3 tubular braces may not exceed 18” in length and will not extend beyond top of spoiler. (Template cars – 6.5”x 60” max).
8. Outlaw cars: Width of body at nose at a point no further than centerline of tire looking from above 80”. Rear tires Max. 78”. No shovel nose/no true noses. Nose may not exceed width rule.
9. Outlaw cars: Body may not exceed 78” at any point. Nose must conform to rule 8.
10. Body ledge – 4” max. Measured between front & rear window post. C-pillar may taper in 9” max from edge of body at a point 52” forward of base of rear spoiler. No concave panels. C-pillar must be at 30 degree min. angle from horizontal.
11. Roof width (side to side) min. 45”.
12. Roof length min. 38”.
13. Height of roof to ground (10” from front and back) min. 45”.
14. Ground clearance of body forward of front tires min. 3”, Template car 4” min.
15. Center of front hub to front of nosepiece/spoiler max. 45”.
16. Wheel base min. 102”.
17. Tread width, measured sidewall to sidewall at bottom bulge of the tires - max. 80”.
18. Center of rear hub to back of quarter panel max. 46”.
19. Height and width of side window (template may be used )  
Height min. 12”                      Width min. 20”.
20. Ground clearance behind rear tires to quarter panel 6” min.
21. Ground to bottom of fuel cell min. 8”.

## 2018 Owosso Speedway Pro Late Model Rules

---

22. Top of quarter panel to ground. Measured at spoiler max. 37".
23. Driver must be separated from engine, fuel cell, and oil systems by metal firewall.
24. Rear of car must be enclosed. Rear panel min. 14" high; measured vertically.
25. No louvers, springs, holes or hinges in deck lid or rear panel. Must be solid & flat. Deck lid must be fastened and secured.
26. No aero-devices within quarter panels.
27. Front windshield and rear window are mandatory, 1/8" min. Lexan only. NO concave or radical type windows. Round type rear window must make a uniform, continuous radius. No offset teardrop. Must resemble window in diagram. No multiple radius rear windows allowed. Must remain flat in center.
28. Rear bumper must be as wide as quarter panels and extend at least 3" back for push truck clearance. Must be 12" max from ground to bottom of bumper.
29. Any car that appears TOO RADICAL may not be permitted to run. Subject to track approval.

**BRAKES** – Four wheel brakes required, in good working order. Multi-piston calipers, ok.

**BUMPERS** – All reinforcement must be from backside of bumper. Ends must be capped, rounded and smooth.

**CAR CONSTRUCTION** – All cars must be built for the safety of the driver and fellow competitors and will be subject to track approval. No driver-adjustable devices, except brake bias, allowed.

**CARBON FIBER COMPONENTS:** Roof & Air Box ONLY. NO CARBON FIBER SUSPENSION PARTS!

**CARBURETOR/INTAKE:** No cutting or welding of intake. 1" spacer allowed – “**Box Stock**” 500-CFM Holly 2 BRL part #4412 with 1 – 11/16 maximum base only. Crate eng. May use Holly 80541-1. NO ALTERING. Choke horn may be removed.

**CLUTCH:** Stock or multi-disc clutch allowed – 5.5" dia. min. Stock clutch must be equipped with safety bellhousing, or scattershield.

**DRIVE SHAFT:** A metal strap is to be located in the forward 1/3 of the driveshaft to prevent it from dropping to the track. Drive shaft must be painted white.

# 2018 Owosso Speedway Pro Late Model Rules

---

## ENGINE:

1. Max. 360 C.I.D. Max. 12.5:1 Comp. ZERO TOLERANCE.
2. No aluminum heads or engine block.
3. Roller Rockers allowed, no other roller components allowed.
4. Stock-type cast iron heads only. Aftermarket heads allowed.
5. Ground to centerline of crankshaft – 10” min. Template cars – 11” min.
6. Forward most spark plug must align with **CENTER OF** ball joint - 4” max. set-back allowed.
7. Single stage external oil pump system allowed. No dry sump systems.
8. The following sealed engine packages are optional and must comply with lines 5,6,& 7 above. G.M. Crate engine package #88958604, Ford Crate engine package #M-6007-D347 and Dodge engine package #P5007958 allowed with a “Box Stock” 650 CFM Holley 4150 HP #80541-1 (no carb spacer allowed). Immediate disqualification if any factory seals are broken. **Sealed Motors MUST have 6300 rpm Chip.**

## EXHAUST:

Mufflers Mandatory – 97 DECIBELS MAX – NO TOLERANCE. NO EXCUSES. Exhaust is to exit in lower 1/3 of car, behind driver. Cars exceeding decibel limit will not compete. No part of the exhaust system may pass through driver’s compartment.

## FRAMES:

1. Stock and tubular frames allowed.
2. Minimum frame height & Side Skirts from ground – 3”. All measurements will be done with the Driver in the Car.
3. Upper A-frame mounts may be changed to accept tubular upper A-frames.

## FUEL CELL:

1. FUEL CELL MANDATORY. Must be securely mounted to frame. Subject to track approval. Fuel lines will not pass through driver compartment. No filler tubes.
2. Steel cans only. Fuel cap must be tethered to cell.
3. Ground to bottom of fuel cell will measure 8” min.
4. No electric fuel pumps.

# 2018 Owosso Speedway Pro Late Model Rules

---

**IGNITION:** Battery-powered ignition only. No crank trigger, no multi-coils. No programmable ignition boxes. See traction control category – no timing retard devices in your ignition system.

**MIRRORS & COMMUNICATIONAL DEVICES:** Not allowed. Only receivers.

**RADIATOR:** One radiator only. Must vent into catchcan (or) mount overflow tube at center of windshield in clear view of officials. Water is the only coolant allowed.

**REARENDS:** Floater-type rear-ends recommended. Ford-9” and Quick-change, ok. Steel axles only. No C-clip rear-ends. No exotic materials.

## **ROLL CAGE:**

1. All cars must have center roll-cage made of DOM seamless tubing – min. 1-3/4 O.D. with a min. .095 wall. Roll cages will be gusseted and braced front and rear. Minimum of 4 door bars on driver’s side – 2 on passenger’s side.
2. All bars around driver’s head must be padded with roll bar padding.
3. All cars are required to have 1/8” steel door plate 24”x24” on the driver side and 12”x18” kick plate to protect driver’s legs.

## **SHOCKS/SPRINGS:**

1. Screw jack cars – min 4” dia. spring-rear. Minimum 5” dia. spring-front.
2. One shock per wheel only. Shock must be moderately priced. No \$500 plus dollar shocks. Single external rate-adjustable shocks are allowed. Recharging valves permitted. No remote reservoirs. No canister shocks of any type permitted. No double external adjustable shocks permitted in any form. No exotic shocks. Super Late Models have wide open shock rules. Pro late models are not super late models and the shock rule is intended specifically for Pro Late Model weekly economy racing.
3. May be moved from stock location.

# 2018 Owosso Speedway Pro Late Model Rules

---

## **SUSPENSION:** (see “weight rule”)

1. Tubular A-frames allowed.
2. Rack & pinion, ok.
3. No Electronic or Hydraulic Traction Control Devices. No hydraulic trailing arms.

Maximum – one spring-loaded rear suspension device only.

## **TIRES: Hoosier D800. NO SOAKING ALLOWED.**

## **TRACTION CONTROL:**

All electronic and/or computerized wheel spin and/or ignition retardation and/or acceleration limiting and/or traction control devices of any type will not be permitted. Adjustable ping control devices, dial a chip controls and/or automated throttle controls will not be permitted. Adjusted restrictor plates will not be permitted.

Remote control components of any type will not be permitted. Radios and/or devices for transmitting voice and/or data will not be permitted. Data acquisition will not be permitted.

## **TRANSMISSION:**

1. Racing transmissions allowed.
2. Must have working reverse gear.
3. Transmission cooler must be in engine compartment.

## **WEIGHT RULE:**

1. Cars are required to meet allowable weight and percentages at any time, including post-qualifying and post-race.
2. **OUTLAW CARS:** Screw jacks, 5”: front springs, 4”: rear springs – **2800 lbs. Before race, with driver. 58.0% max. left side, 50.0% max. rear weight with driver. \*Note Left side weight change 2014!**
3. **TEMPLATE CAR:** Any above-mentioned suspension component/package allowed. Body must be installed to “ABC” template spec. (2004-2009 Monte Carlo, Taurus, Intrepid, Grand Prix). Hoosier 970 tires, 8” steel rims, **Sealed Crate Engine – 2600 lbs. before race with driver. 58% max. left side weight. Template Car/Outlaw Engine – 2700 lbs before race with driver.** ALL car owners and/or drivers must provide to OWS officials, the original bill of sale for their engine, or a current certificate of

## 2018 Owosso Speedway Pro Late Model Rules

---

rebuild from authorized SLMS/CRA/ARCA engine in order to participate in any 2014 event. GM 500 hp crate is not allowed.

4. Centerline, nose and side-to-side templates will be used with a 7/16" tolerance max. Penalty for exceeding tolerance is 50 lbs. per infraction.
5. In the interest of competition, weight may be adjusted.
6. **Lead only** may be used for ballast and must be anchored with (2) ½" dia. bolts min. All weight to be painted white with car number painted in contrasting color. Any weight found not painted white, with car number, will result in disqualification. **\*No Tungsten, cement, asphalt or other ballast material other than Lead!**

**WHEELS:** Any steel wheel – 8: max. No aluminum, no carbon fiber. **HUBS:** Wide-5 hub, ok. Heavy-duty lug nuts and 5/8" wheel studs mandatory.

**WRECKER HOOKS:** Eye bolt or cable to bumper or frame, front and rear. Must be visible.