



Owosso Speedway 2024 Mini Wedge Rules

NOTE: OWOSSO SPEEDWAY DOES NOT EXPRESS OR IMPLY ANY WARRANTY OF SAFETY RESULTING FROM THE PUBLICATION OF, OR COMPLIANCE WITH THESE RULES AND/OR REGULATIONS. THESE RULES ARE INTENDED AS A GUIDE TO THE CONDUCT OF THIS SPORT. AND IS NOT IN ANY WAY A GUARANTEE AGAINST INJURY OR DEATH TO ANY PARTICIPANT, SPECTATOR, OR OFFICIAL.

THE ABSENCE OF A PARTICULAR RULE DOES NOT NECESSARILY MEAN IT'S APPROVED. ANY INFRACTIONS OF THE RULES MAY RESULT IN A PENALTY (FOR THAT EVENT) OR NOT BEING ABLE TO COMPETE ENTIRELY.

ALL IDENTIFIED RULE INFRACTIONS MUST BE RESOLVED PRIOR TO FOLLOWING.

OUR MISSION IS TO PROVIDE CHILDREN A SAFE AND COMPETITIVE SERIES TO TEACH THEM THE FUNDAMENTALS, SPORTSMANSHIP, AND COMPLETENESS NEEDED TO GROW INTO THE SPORT AS A YOUNG ADULT.

1. Car

- A. Wheelbase 45" – 49". The maximum width of the outside of the tire is 45". There are to be no roofs, sail panels. A maximum of a 3-inch spoiler will be allowed. The Spoiler side's maximum height will be 3 inches from the deck and 5 inches long.
- B. All karts must be constructed of steel tubing with a complete 6-point roll cage including adequate side protection. Cages must be a minimum of .065 x 1" steel tubing welded to the frame.
- C. The engine must be located behind the driver's seat. No part of the engine can be located beside the seat.
- D. Floor pans are required to be made of steel or a minimum of .040" aluminum. The floor pans are to be securely bolted or riveted to the frame. The length of the floor pan must go from the center of the seat to the front of the frame going past the driver's pedals.
- E. All karts must have a full wedge Late Model appearing body. No open fenders will be allowed. There must be at least 4" of the body behind the rear wheels. There will be no covered or enclosed motors and motors will always remain completely visible. (See 'Body Drawings' for more information).
- F. Tires must be a Hoosier (15600 "11 inches tall" or 15500 "10-1/2 inch tall") No grooving or sipping of the tires. No treating or soaking of tires. Tires must durometer 50, any tire that durometer is 48 or less will be deemed has treated and will result in loss of points for the event along with forfeit of any prizes to be given out.
- G. Rim width cannot be any wider than 6-1/2" wide and must be at least 6" Tall.
- H. Axle must be a Steel Axle and a minimum of 3/16" Wall Thickness Max Length of 38".
- I. No suspension will be allowed. This includes springs, shocks, rubbers, torsion bars, and any other type of dampening device. Axle must be solid with no ratcheting/open rear hubs
- J. Rear deck height cannot exceed a maximum of 27.5" from the ground and a minimum of 22" high from the ground.
- K. Rear quarter panel cannot exceed a maximum of 24" and a minimum of 20".
- L. Body must be constructed of .040" aluminum. Plastic may be used for nose, fenders, and trim. Kart must weigh no less than 335 lbs. with the driver after the race.
- M. When tracks split the class by age, they must split it by 5-9 and 10-14 years old. The 10-14-year-old kids must weigh-in no less than 375 lbs. with the driver after the race. (MWA Tracks can choose to weigh in before or after the race. All lead must be securely bolted or clamped to the frame, not the body or floor pan.
- N. We highly encourage the doors and quarter panels to be wider than the tires at the bottom of the doors and quarters to help prevent "Wheel Hop".



1. Car (Continued)

- O. At least one vertical D door bar must be welded on each side of the driver running from the main rail to side crash bars for driver protection. See the rear side view drawing for more details.
- P. Front and rear bumpers must be mounted at all times. Front and rear bumpers must have at least a 6" tall hoop.
- Q. Front and rear down tubes are mandatory for driver's protection.
- R. All tubing on the main roll cage must be at least .065" wall tubing.
- S. Driver's seat must be mounted in four locations with (4-Bolts) minimum.
- T. Two door numbers must be present with a minimum of 12" tall.
- U. Must have two throttle return springs at all times.
- V. Kill switch must be mounted on the deck visible to officials.
- W. Any weight mounted on the kart must be painted white with the driver's name and number on the weight. Weight must be mounted by at least a ½" bolt. Any weight lost during an event will result of a two-week suspension.
- X. 5-Point harness system is mandatory. All harnesses must have an SFI Rated patch.
- Y. All karts must have two triangle-type side window nets attached to the roll bar one on each side of the driver. If you run the Full Containment seat you are not required to run a window net but are still Highly Recommended.

2. Engine

- A. MWA 6.5 HP (212cc) OHV Predator Engine that's sealed with the MWA marks and serial number will be allowed.
 - B. 6.5 HP (212cc) OHV Predator Engine stock
 - C. Engine must remain stock.
 - D. Fuel allowed is regular gasoline NO Alcohol / NO E85 will be allowed.
 - E. You cannot alter the exhaust in any way. The cover can be altered to fit the chain guard if needed no taking out the spark resistor for the exhaust.
 - F. You can change the spark plug.
 - G. You can disconnect the low oil sensor and Governor.
 - H. Stock Ignition Key Only!
 - I. Max 5600 RPM – Will Check
 - J. NO Aftermarket Engine Parts – Cam Flywheel Rods Pistons ETC (Must Be Stock)
 - K. 10.8# Valve Springs Only – Max Wire Diameter of .071
 - L. Aftermarket Air Filter Adapter & Filter Allowed
 - M. NO RACING carburetor
 - N. Carburetors must remain stock with no alterations.
 - O. 1 carburetor spacer / restrictor only, no homemade or aftermarket carb spacers.
 - P. .031 Max Main Jet
 - Q. **The following 3 clutches are allowed: Noram Magnum Premier Clutch or MAX-Torque Clutch.**
You can run 12, 13, or 14 tooth Clutches. (This is to help decrease the rear axle gear for more ground clearance.)
-



3. Race Rules

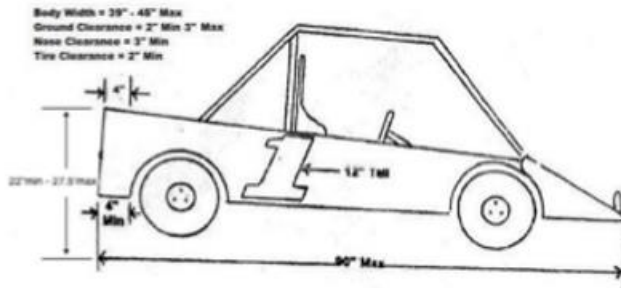
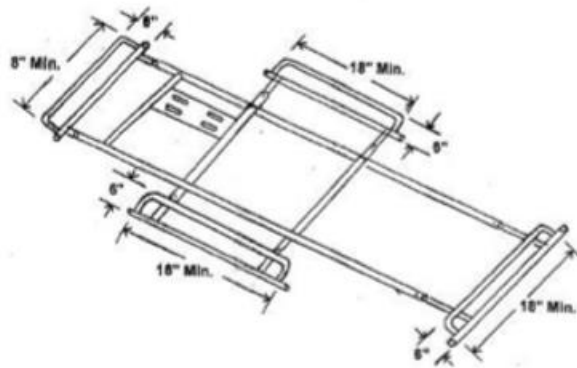
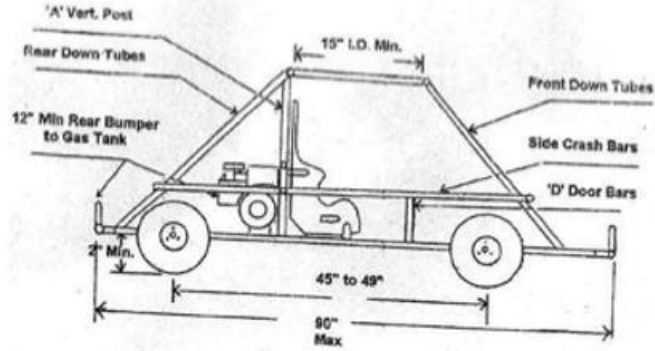
- A. All drivers must be accompanied by a parent or legal guardian. Unless you are appointed his / her legal guardian, by law, you cannot sign a release form for them. Therefore, they cannot race. Any exception to this rule cannot be made by an MWA official and must be brought before the track's management or track's insurance carrier for a decision.
- B. All cars will be lined up according to their pill draw. Failure to draw a pill before the lineup is turned into track officials. This will result in the driver starting at the tail of the heat.
- C. Arguing about scoring or judgment calls will not be tolerated. Confrontations/arguments with MWA Officials, track officials, or another parent can result in a minimal suspension of 2-weeks from all MWA sanctioned tracks.
- D. If any crew member from your team decides to come onto the racing surface at any time without being asked to by a race official then the driver will automatically be parked for the remainder of the racing event. This includes and is not limited to arguing with any of the staff. We understand that the sport is our love but we will not tolerate this. We work hard to make all calls same and equal, please if upset walk away for a moment and calmly talk with an official at the end of the event.
- E. The scoring area is off-limits to drivers and anyone who is not a track staff member.
- F. Any parent, driver, or member of any team involved in any type of confrontation with anyone at the track will result in a suspension of driver and parent or legal guardian for at least two weeks from all MWA events.
- G. The age limit is 5-14 years of age. You must provide a copy of your birth certificate before your membership can be provided.
- H. There will be NO WARNINGS given out for bad behavior such as; No throwing a fit on the racetrack or pit area NO disrespect toward track officials, MWA officials, scorers, flagman, or track owner. No going to another pit to argue this includes driver, crew, and anyone with a Mini Wedge.

4. Driver Personal Safety

- A. **A.** All drivers must wear an approved SFI – 1 certified or SFI13 – 2A/1 Fire Suit. SFI certification patch shall be required on fire suit.
- B. A Full-Face helmet will be mandatory at all tracks and all MWA events.
- C. All drivers must wear a neck brace.
- D. All drivers must wear arm restraints.
- E. All drivers must wear closed-toe shoe.
- F. Fireproof gloves are mandatory at all MWA events.
- G. Currently Owosso speedway allows 2 crew members & the driver in the pit area for each mini wedge, No More than 2 at any time, with new construction in progress on the Owosso speedway property this rule is subject to change per Owosso Speedway safety management if safety concerns arise.



5. Body Drawing and Specs





6. Race Procedure

- A. Cautions will be thrown when a driver spins out and is stopped on the track.
- B. Caution will be thrown when a driver drives off the track and is stuck.
- C. The caution car (judgment call) will be put to the tail.
- D. Two cautions and the driver will be black flagged for that event.
- E. The black flag will be thrown when a driver is driving rough; this is a judgment call and cannot be argued.
- F. The class will be split into two classes. 5 – 9 Year old and 10 – 14 Year old
- G. Race transponders will be mandatory, if you don't have one they can be rented at the track for a \$20 rental fee "Pouches will also be available for \$20 to purchase"
- H. Race receivers will also be mandatory - Track will have some available for rental if someone arrives without one. \$15 fee
- I. Feature redraw will be set by track.
- J. Top 3 will receive a trophy at the end of the night in each class.
- K. Top 3 must report to the tech area.

7. Conduct or behavior Zero tolerance

- A. Owosso Speedway officials have a Zero-Tolerance policy for all unnecessary events that take place anywhere on Owosso Speedway property such as but not limited to:
 - i. Arguments
 - ii. Unnecessary behavior of any kind
 - iii. Vulgar language
 - iv. Threatening other racing teams, help or family.
 - v. Going to another race teams pit to argue.
 - vi. Unnecessary speed in pits with your race car.
 - vii. Bumping others race cars with your race car on track or in pits expressing your anger.
 - viii. Unnecessary actions toward Owosso Speedway officials, about tech decisions or on track decisions.
- B. At the point security is called, you will receive your 1st week suspension & loss of all winnings for that night.
- C. If argument or unnecessary actions continue the suspension will continue to multiply, 2 weeks, 3 weeks, 4 weeks, after 4 weeks there will be a meeting with Owosso Speedway officials to determine your suspension or when you will be allowed back to Owosso Speedway

Email tech questions to tech@owosso Speedway.com or neil.may@owosso Speedway.com

Owosso Speedway Reserves the right to Revise Rules for Issues Not Foreseen with This Rule Package.

*Owosso Speedway Reserves the right to retain a 3RD Party inspector or company to examine any part of the race car or part in question.

ABSENCE OF A PARTICULAR RULE DOES NOT ALLOW YOU TO ASSUME IT'S APPROVED